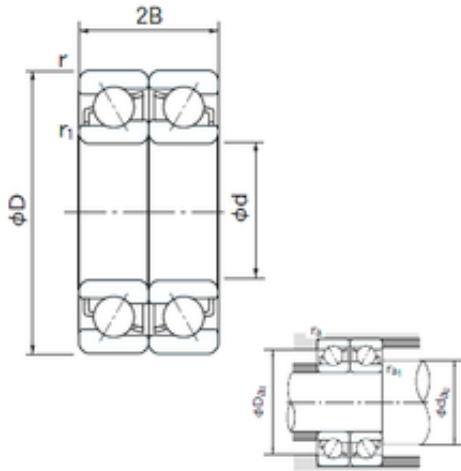




# CSC BEARING GROUP limited



## 35 mm x 62 mm x 14 mm NACHI 7007DF Angular contact ball bearing

Bearing No. 7007DF

7007DF Bearing 2D drawings and 3D CAD models

Size	35x62x14 mm
Bore Diameter	35 mm
Outer Diameter	62 mm
Width	14 mm
d	35 mm
D	62 mm
B	14 mm
C	14 mm
Angle ( ° )	30 °
a	7 mm
r min.	1 mm
r1 min.	0.6 mm
2B	28 mm
da min.	40 mm
Da max.	59 mm
ra max.	0.6 mm
Weight	0.170 Kg
Basic dynamic load rating (C)	28,5 kN
Basic static load rating (C0)	25,2 kN
(Grease) Lubrication Speed	7500 r/min
Bore Type	Cylindrical Bore
Enclosure	Open
Configuration	Duplex
Bore Size	35 mm
Outside Diameter	62 mm



## CSC BEARING GROUP limited

Width	14 mm
Fillet Radius/Chamfer	1 mm
r1	0.6 mm
Dynamic Load Rating	28,500 N
Static Load Rating	25,200 N
Limiting Speed - Grease	7,500 rpm
Limiting Speed - Oil	10,000 rpm
da1 (min)	40 mm
da2 (min)	40 mm
Da1 (max)	57 mm
Da2 (max)	59 mm
ra (max)	1 mm
ra1 (max)	0.6 mm