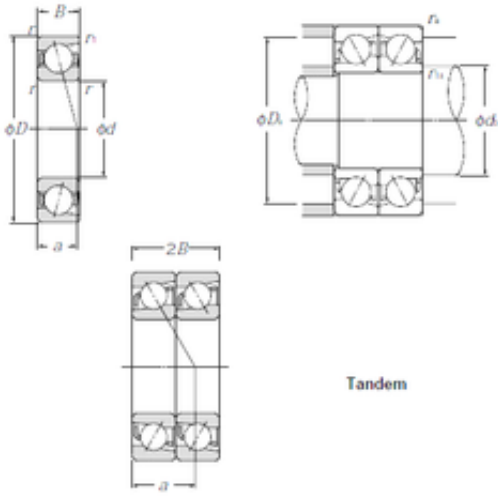




# CSC BEARING GROUP limited



40 mm x 80 mm x 18 mm CYSD 7208BDT  
Angular contact ball bearing

Bearing No. 7208BDT

Size	40x80x18 mm
Bore Diameter	40 mm
Outer Diameter	80 mm
Width	18 mm
d	40 mm
D	80 mm
B	18 mm
C	18 mm
Angle ( )	40 °
r min.	1,1 mm
2B	36 mm
Weight	0,75 Kg
Basic dynamic load rating (C)	52 kN
Basic static load rating (C0)	46 kN
(Grease) Lubrication Speed	6700 r/min

7208BDT Bearing 2D drawings and 3D CAD models