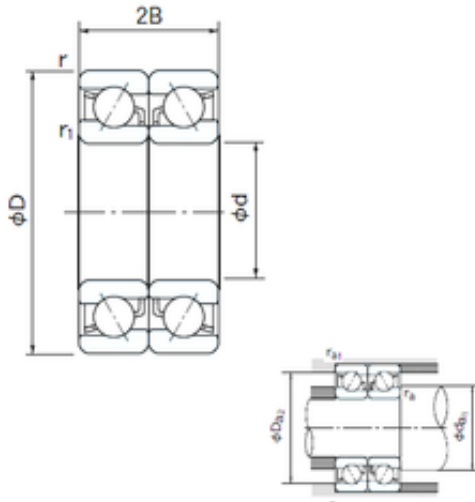




CSC BEARING GROUP limited



7214CDB Bearing 2D drawings and 3D CAD models

70 mm x 125 mm x 24 mm NACHI 7214CDB Angular contact ball bearing

Bearing No. 7214CDB

Size	70x125x24 mm
Bore Diameter	70 mm
Outer Diameter	125 mm
Width	24 mm
d	70 mm
D	125 mm
B	24 mm
C	24 mm
Angle (°)	15 °
a -	0.7 mm
r min.	1.5 mm
r1 min.	1 mm
2B	48 mm
da min.	79 mm
Da max.	119.6 mm
ra max.	1 mm
Weight	1.12 Kg
Basic dynamic load rating (C)	130 kN
Basic static load rating (C0)	130 kN
(Grease) Lubrication Speed	6600 r/min
Bore Type	Cylindrical Bore
Enclosure	Open
Configuration	Duplex
Bore Size	70 mm
Outside Diameter	125 mm



CSC BEARING GROUP limited

Width	24 mm
Fillet Radius/Chamfer	1.5 mm
r1	1 mm
Dynamic Load Rating	130,000 N
Static Load Rating	130,000 N
Limiting Speed - Grease	6,600 rpm
Limiting Speed - Oil	8,800 rpm
da1 (min)	79 mm
da2 (min)	79 mm
Da1 (max)	116 mm
Da2 (max)	119.6 mm
ra (max)	1.5 mm
ra1 (max)	1 mm