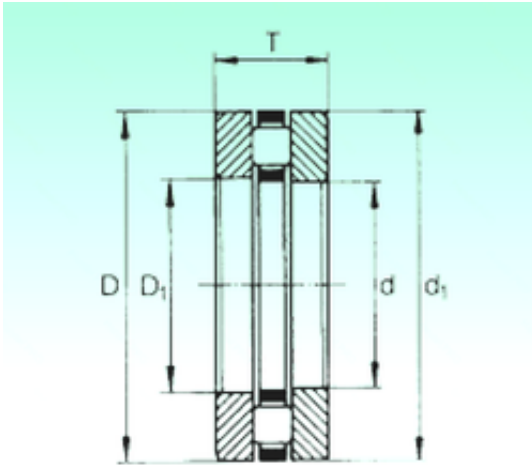




CSC BEARING GROUP limited



65 mm x 100 mm x 8 mm NBS 81213TN Axial roller bearing

Bearing No. 81213TN

Size	65x100x27 mm
Bore Diameter	65 mm
Outer Diameter	100 mm
Width	27 mm
d	65 mm
D	100 mm
T	27 mm
d1	100 mm
B	8 mm
D1	67 mm
Dw	11 mm
Weight	0,721 Kg
Weight	0,268 Kg
Basic dynamic load rating (C)	176,8 kN
Basic static load rating (C0)	499,5 kN

81213TN Bearing 2D drawings and 3D CAD models