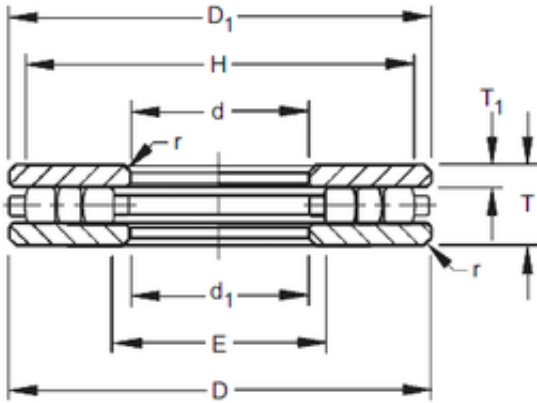




CSC BEARING GROUP limited

Timken 80TP134 Axial roller bearing

Bearing No. 80TP134



Size	203.2x304.8x76.2 mm
Bore Diameter	203,2 mm
Outer Diameter	304,8 mm
Width	76,2 mm
d	203,2 mm
D	304,8 mm
T	76,2 mm
r max	6,4 mm
T1	20,64 mm
d1	205,58 mm
D1	302,42 mm
E	215,9 mm
H	292,1 mm

80TP134 Bearing 2D drawings and 3D CAD models