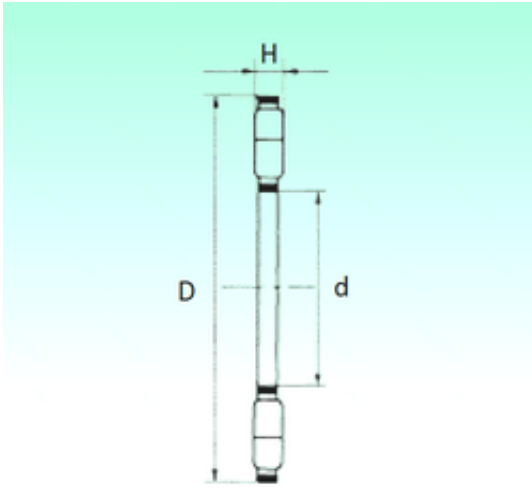




CSC BEARING GROUP limited



NBS K89422-M Axial roller bearing

Bearing No. K89422-M

Bore Diameter	110 mm
Outer Diameter	230 mm
d	110 mm
D	230 mm
Dw	24 mm
Weight	3,3 Kg
Basic dynamic load rating (C)	998,5 kN
Basic static load rating (C0)	3397,8 kN

K89422-M Bearing 2D drawings and 3D CAD models