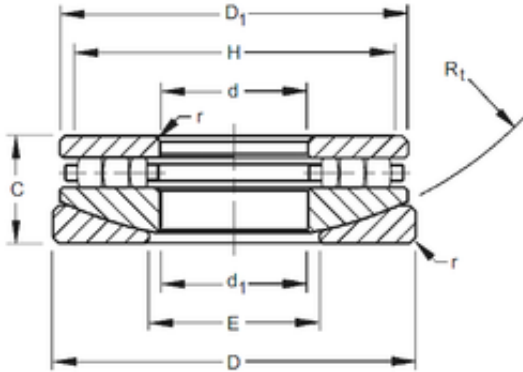




CSC BEARING GROUP limited

Timken 160TPS165 Axial roller bearing



Bearing No. 160TPS165

Bore Diameter	406,4 mm
Outer Diameter	635 mm
d	406,4 mm
D	635 mm
r max	6,4 mm
d1	412,75 mm
C	152,4 mm
D1	606,42 mm
E	457,2 mm
H	585,8 mm
R	596,9 mm

160TPS165 Bearing 2D drawings and 3D CAD models