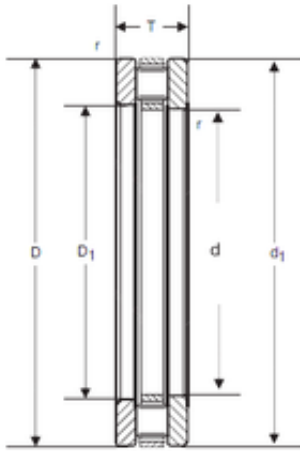




CSC BEARING GROUP limited

SIGMA 81136 Axial roller bearing

Bearing No. 81136



81136 Bearing 2D drawings and 3D CAD models

Size	180x225x34 mm
Bore Diameter	180 mm
Outer Diameter	225 mm
Width	34 mm
d	180 mm
D	225 mm
T	34 mm
d1	222 mm
D1	183 mm