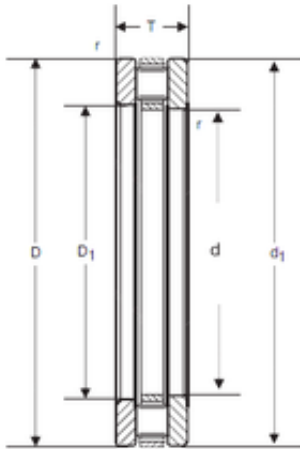




# CSC BEARING GROUP limited

## SIGMA 81132 Axial roller bearing

Bearing No. 81132



81132 Bearing 2D drawings and 3D CAD models

|                |               |
|----------------|---------------|
| Size           | 160x200x31 mm |
| Bore Diameter  | 160 mm        |
| Outer Diameter | 200 mm        |
| Width          | 31 mm         |
| d              | 160 mm        |
| D              | 200 mm        |
| T              | 31 mm         |
| d1             | 198 mm        |
| D1             | 162 mm        |