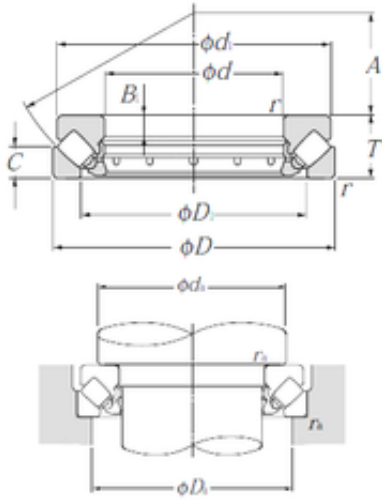




# CSC BEARING GROUP limited



## NTN 29332 Axial roller bearing

Bearing No. 29332

29332 Bearing 2D drawings and 3D CAD models

Size	160x270x67 mm
Bore Diameter	160 mm
Outer Diameter	270 mm
Width	67 mm
d	160 mm
D	270 mm
T	67 mm
B1	24 mm
C	32 mm
d1	260 mm
r min.	3 mm
A	92 mm
D1	208 mm
da min.	210 mm
Da max.	235 mm
ra max.	2,5 mm
Weight	15,9 Kg
Basic dynamic load rating (C)	820 kN
Basic static load rating (C0)	2 860 kN
Category	Roller Bearings
Inventory	0.0
Manufacturer Name	NTN
Minimum Buy Quantity	N/A
Weight / Kilogram	15.7
EAN	4547359290721
Product Group	B04311



# CSC BEARING GROUP limited