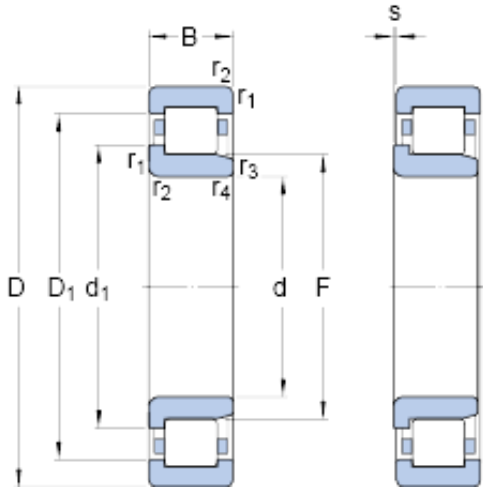




CSC BEARING GROUP limited



120 mm x 215 mm x 58 mm SKF NJ 2224 ECJ
Ball bearing

Bearing No. NJ 2224 ECJ

NJ 2224 ECJ Bearing 2D drawings and 3D CAD models

Size	215x120x58 mm
Bore Diameter	215 mm
Outer Diameter	120 mm
Width	58 mm
d	120 mm
D	215 mm
B	58 mm
d ₁	153 mm
D ₁	186.9 mm
F	143.5 mm
r _{1,2} - min.	2.1 mm
r _{3,4} - min.	2.1 mm
s	3.8 mm
d _a - min.	132 mm
d _a - max.	140 mm
d _b - min.	156 mm
D _a - max.	201.6 mm
r _a - max.	2 mm
Basic dynamic load rating - C	520 kN
Basic static load rating - C ₀	630 kN
Fatigue load limit - P _u	72 kN
Reference speed	3400 r/min
Limiting speed	3600 r/min
Calculation factor - k _r	0.2



CSC BEARING GROUP limited

Category	Cylindrical Roller Bearings
Inventory	0.0
Manufacturer Name	SKF
Minimum Buy Quantity	N/A
Weight / Kilogram	8.889
EAN	7316577113825
Product Group	B04144
Bore Profile	Straight
Cage Material	Steel
Precision Class	RBEC 1 ISO P0
Number of Rows of Rollers	Single Row
Separable	Inner Ring - One Side
Rolling Element	Cylindrical Roller Bearing
Profile	Complete with Outer and Inner Ring
Snap Ring	No
Internal Clearance	C0-Medium
Retainer	Yes
Relubricatable	Yes
Inch - Metric	Metric
Other Features	High Capacity 1 Rib Inner Ring 2 Rib Outer Ring Cage on Outer Ring ID
Long Description	120MM Bore; Straight Bore Profile; 215MM Outside Diameter; 58MM Width; Steel Cage Material; RBEC 1 ISO P0; Single Row; Inner Ring - One Side Separable; No Snap Ring; Relubricatable; C0-Medium Inter
Category	Cylindrical Roller Bearing
UNSPSC	31171547
Harmonized Tariff Code	8482.50.00.00
Noun	Bearing



CSC BEARING GROUP limited

Manufacturer URL	http://www.skf.com
Manufacturer Item Number	NJ 2224 ECJ
Weight / LBS	19.579
Bore	4.724 Inch 120 Millimeter
Width	2.283 Inch 58 Millimeter
Outside Diameter	8.465 Inch 215 Millimeter
d_1	153 mm
D_1	186.95 mm
$r_{1,2}$ min.	2.1 mm
$r_{3,4}$ min.	2.1 mm
s max.	3.8 mm
d_a min.	132 mm
d_a max.	140 mm
d_b min.	156 mm
D_a max.	201.6 mm
r_a max.	2 mm
Basic dynamic load rating C	520 kN
Basic static load rating C_0	630 kN
Fatigue load limit P_u	72 kN
Calculation factor k_r	0.2
Limiting value e	0.3
Axial load factor Y	0.4
Mass bearing	8.65 kg