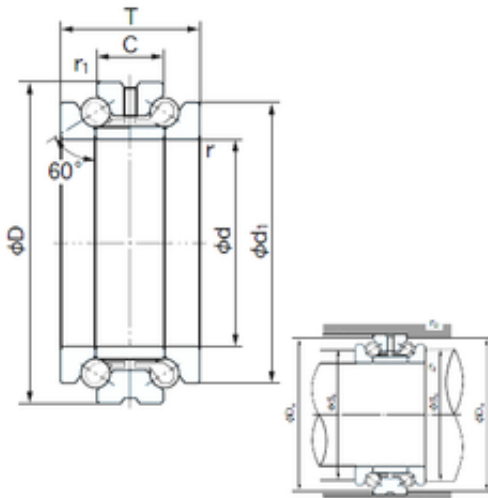




# CSC BEARING GROUP limited

## NACHI 80TAD20 Ball bearing

Bearing No. 80TAD20



80TAD20 Bearing 2D drawings and 3D CAD models

Size	80x125x54 mm
Bore Diameter	80 mm
Outer Diameter	125 mm
Width	54 mm
d	80 mm
D	125 mm
T	54 mm
ra1 max.	0.6 mm
Angle ( ° )	60 °
d1	110 mm
r min.	1.1 mm
r1 min.	0.6 mm
C	27 mm
da min.	97 mm
Da max.	119 mm
ra max.	1 mm
Weight	2.20 Kg
Basic dynamic load rating (C)	51 kN
Basic static load rating (C0)	138 kN
(Grease) Lubrication Speed	3400 r/min