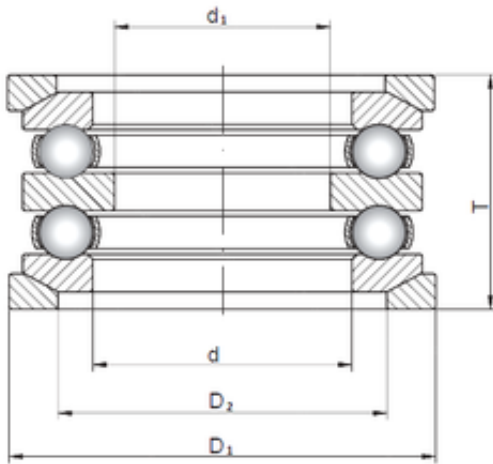




CSC BEARING GROUP limited

ISO 54224U+U224 Ball bearing

Bearing No. 54224U+U224



Bore Diameter	123 mm
d	123 mm
d1	100 mm
D1	175 mm
D2	145 mm
T	82 mm

54224U+U224 Bearing 2D drawings and 3D CAD models