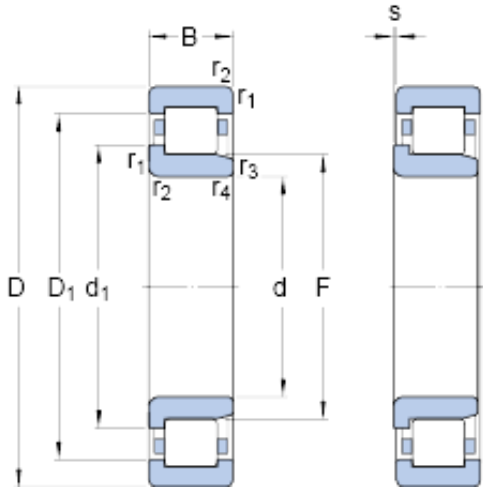




CSC BEARING GROUP limited



200 mm x 360 mm x 58 mm SKF NJ 240 ECML
Ball bearing

Bearing No. NJ 240 ECML

NJ 240 ECML Bearing 2D drawings and 3D CAD models

Size	360x200x58 mm
Bore Diameter	360 mm
Outer Diameter	200 mm
Width	58 mm
d	200 mm
D	360 mm
B	58 mm
d ₁	258 mm
D ₁	311.5 mm
F	243 mm
r _{1,2} - min.	4 mm
r _{3,4} - min.	4 mm
s	2.6 mm
d _a - min.	217 mm
d _a - max.	238 mm
d _b - min.	262 mm
D _a - max.	341.6 mm
r _a - max.	3 mm
Basic dynamic load rating - C	880 kN
Basic static load rating - C ₀	1060 kN
Fatigue load limit - P _u	106 kN
Reference speed	1900 r/min
Limiting speed	3200 r/min
Calculation factor - k _r	0.23



CSC BEARING GROUP limited

Category	Roller Bearings
Inventory	0.0
Manufacturer Name	SKF
Minimum Buy Quantity	N/A
Weight / Kilogram	26.413
EAN	7316574933662
Product Group	B04144
d_1	258 mm
D_1	311.5 mm
$r_{1,2}$ min.	4 mm
$r_{3,4}$ min.	4 mm
s max.	2.6 mm
d_a min.	217 mm
d_a max.	238 mm
d_b min.	262 mm
D_a max.	341.6 mm
r_a max.	3 mm
Basic dynamic load rating C	880 kN
Basic static load rating C_0	1060 kN
Fatigue load limit P_u	106 kN
Calculation factor k_r	0.23
Limiting value e	0.2
Axial load factor Y	0.6
Mass bearing	26.9 kg