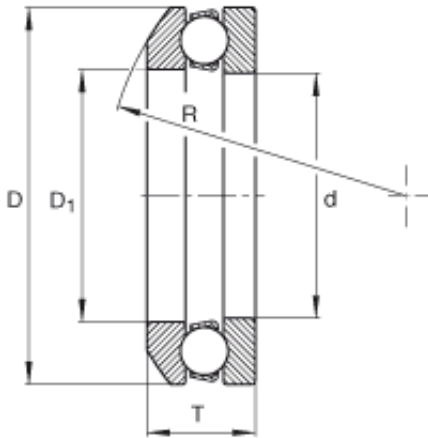




CSC BEARING GROUP limited

INA 513 Ball bearing

Bearing No. 513



513 Bearing 2D drawings and 3D CAD models

Size	65x140x74 mm
Bore Diameter	65 mm
Outer Diameter	140 mm
Width	74 mm
d	2,559 inch
d	65 mm
D	5,512 inch
D	140 mm
T	2,913 inch
T	74 mm
D ₁	2,677 inch
D ₁	68 mm
R	125 mm
m	12,557 lbs / Weight
m	5,695 kg / Weight
C _a	60000 lbf / Dynamic load rating (axial)
C _a	265000 N / Dynamic load rating (axial)
C _{0a}	111000 lbf / Static load rating (axial)
C _{0a}	495000 N / Static load rating (axial)