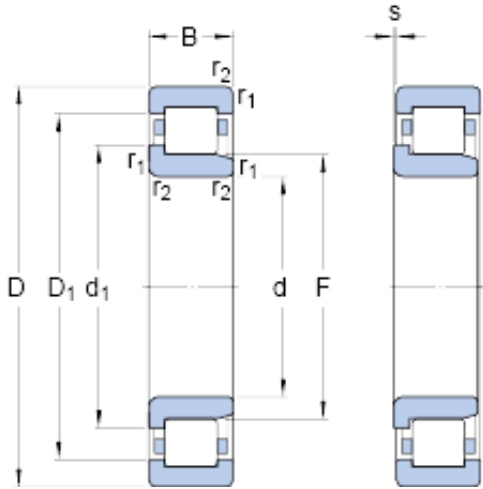




CSC BEARING GROUP limited



460 mm x 580 mm x 72 mm SKF NJ 2892 ECMA Ball bearing

Bearing No. NJ 2892 ECMA

NJ 2892 ECMA Bearing 2D drawings and 3D CAD models

Size	580x460x72 mm
Bore Diameter	580 mm
Outer Diameter	460 mm
Width	72 mm
d	460 mm
D	580 mm
B	72 mm
d ₁	499 mm
D ₁	543 mm
F	489 mm
r _{1,2} - min.	3 mm
s	1.1 mm
d _a - min.	473 mm
d _a - max.	485 mm
d _b - min.	505 mm
D _a - max.	567 mm
r _a - max.	2.5 mm
Basic dynamic load rating - C	1080 kN
Basic static load rating - C ₀	2400 kN
Fatigue load limit - P _u	193 kN
Reference speed	1100 r/min
Limiting speed	1400 r/min
Calculation factor - k _r	0.07
d ₁	499 mm



CSC BEARING GROUP limited

D_1	543 mm
$r_{1,2}$ min.	3 mm
s max.	1.1 mm
d_a min.	473 mm
d_a max.	485 mm
d_b min.	505 mm
D_a max.	567 mm
r_a max.	2.5 mm
Basic dynamic load rating C	1060 kN
Basic static load rating C_0	2320 kN
Fatigue load limit P_u	193 kN
Calculation factor k_r	0
Limiting value e	0.3
Axial load factor Y	0.4
Mass bearing	48 kg