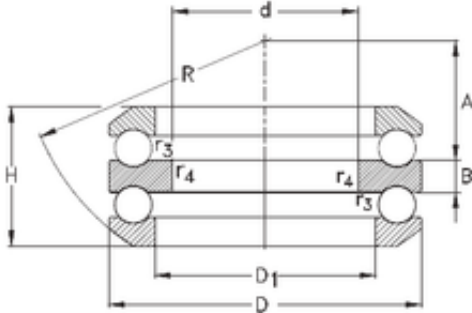




CSC BEARING GROUP limited

100 mm x 210 mm x 27 mm NKE 54324-MP Ball bearing



Bearing No. 54324-MP

Size	100x210x131.2 mm
Bore Diameter	100 mm
Outer Diameter	210 mm
Width	131,2 mm
d	100 mm
D	210 mm
H	131,2 mm
r1 min.	2,1 mm
r2 min.	2,1 mm
r3 min.	1,1 mm
r4 min.	1,1 mm
A	58 mm
B	27 mm
D1	123 mm
R	160 mm
Weight	19,1 Kg
Basic dynamic load rating (C)	325 kN
Basic static load rating (C0)	915 kN

54324-MP Bearing 2D drawings and 3D CAD models