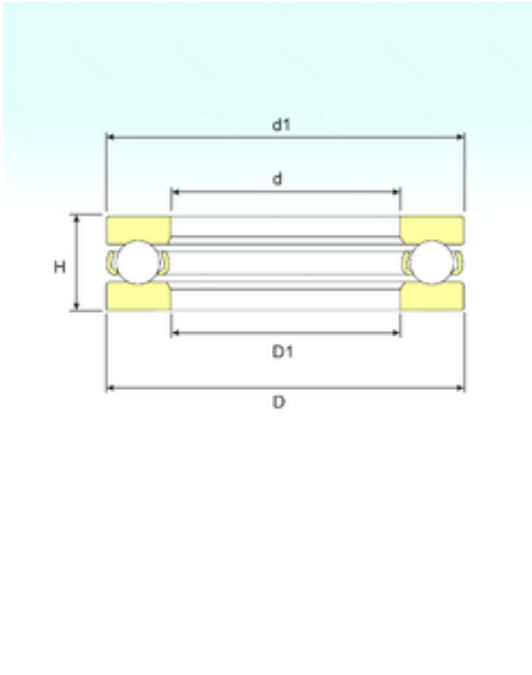




CSC BEARING GROUP limited



51128 Bearing 2D drawings and 3D CAD models

ISB 51128 Ball bearing

Bearing No. 51128

Size	140x180x31 mm
Bore Diameter	140 mm
Outer Diameter	180 mm
Width	31 mm
d	140 mm
D	180 mm
H	31 mm
d1	178 mm
D1	142 mm
Weight	2,05 Kg
Basic dynamic load rating (C)	109 kN
Basic static load rating (C0)	431 kN
(Grease) Lubrication Speed	1989 r/min