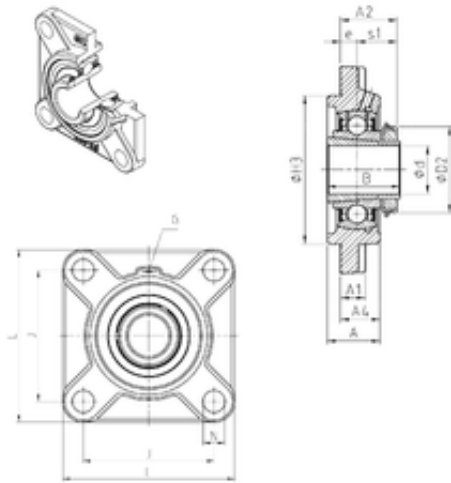




CSC BEARING GROUP limited



SNR UKFS318H Bearing unit

Bearing No. UKFS318H

Bore Diameter	80 mm
d	80 mm
H3	240 mm
A4	56 mm
e	24 mm
s1	48 mm
A	76 mm
A1	30 mm
B	86 mm
D2	120 mm
J	216 mm
L	280 mm
N	35 mm
Thread (G)	M10x1
A2	72 mm
Weight	21,3 Kg
Basic dynamic load rating (C)	143 kN

UKFS318H Bearing 2D drawings and 3D CAD models