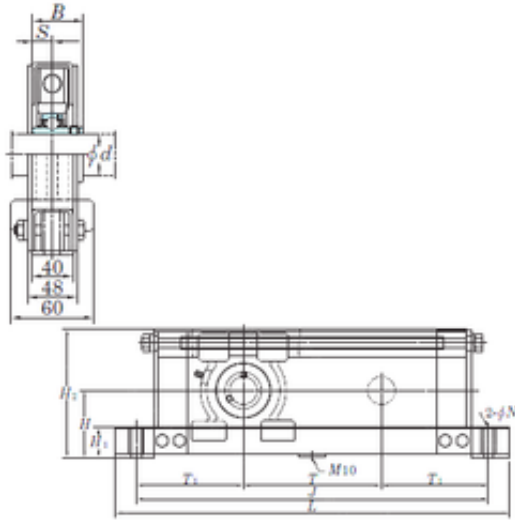




CSC BEARING GROUP limited



KOYO UCTL208-200 Bearing unit

Bearing No. UCTL208-200

Bore Diameter	40 mm
Width	49,2 mm
d	40 mm
T1	155 mm
B	49,2 mm
H	97 mm
H1	44 mm
H2	186 mm
J	510 mm
L	570 mm
N	15 mm
S	19 mm
T	200 mm
Bolt (G)	M12
Weight	9 Kg
Basic dynamic load rating (C)	29,1 kN
Basic static load rating (C0)	17,8 kN

UCTL208-200 Bearing 2D drawings and 3D CAD models