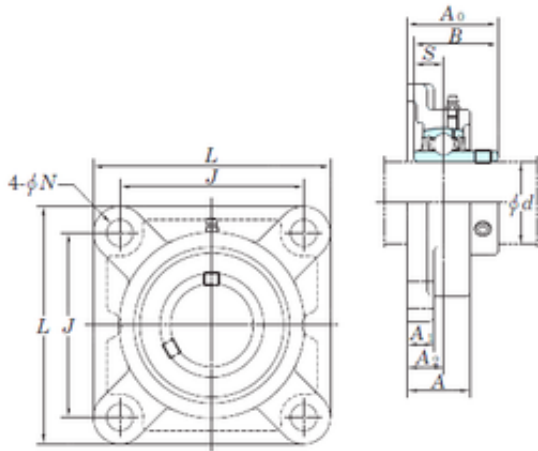




KOYO UCF218-56 Bearing unit



Bearing No. UCF218-56

Bore Diameter	88,9 mm
d	88,9 mm
A0	96,3 mm
A	68 mm
A1	25 mm
B	96 mm
J	187 mm
L	235 mm
N	23 mm
S	39,7 mm
Bolt (G)	M20
A2	40 mm
Weight	11,4 Kg
Basic dynamic load rating (C)	96,1 kN
Basic static load rating (C0)	71,5 kN

UCF218-56 Bearing 2D drawings and 3D CAD models