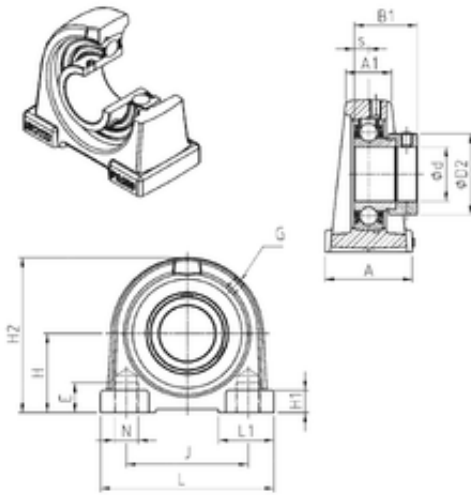




CSC BEARING GROUP limited

SNR ESPA207 Bearing unit

Bearing No. ESPA207



ESPA207 Bearing 2D drawings and 3D CAD models

Bore Diameter	35 mm
d	35 mm
s	9,5 mm
A	48 mm
A1	27 mm
B1	38,9 mm
D2	55,6 mm
E	20 mm
H	47,6 mm
H1	13 mm
H2	95 mm
J	80 mm
L	110 mm
L1	30 mm
Thread (G)	M6x1
Thread (N1)	M14
Weight	1,5 Kg
Basic dynamic load rating (C)	25,7 kN