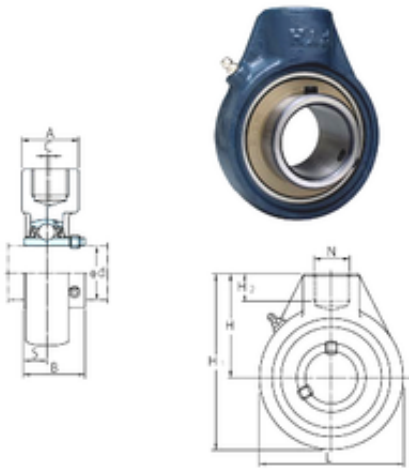




CSC BEARING GROUP limited

FYH UCHA206-18 Bearing unit

Bearing No. UCHA206-18



UCHA206-18 Bearing 2D drawings and 3D CAD models

Bore Diameter	28,575 mm
Width	38,1 mm
d	28,575 mm
A	40 mm
B	38,1 mm
C	– mm
H	64 mm
H1	103 mm
H2	19 mm
L	78 mm
S	15,9 mm
Bolt (G)	PF 3/4
Weight	0,83 Kg
Basic dynamic load rating (C)	19,5 kN
Basic static load rating (C0)	11,3 kN