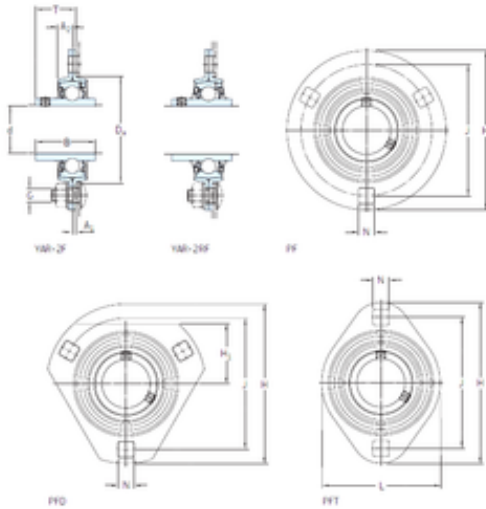




CSC BEARING GROUP limited



PFD 30 TF Bearing 2D drawings and 3D CAD models

SKF PFD 30 TF Bearing unit

Bearing No. PFD 30 TF

Bore Diameter	30 mm
Width	38,1 mm
d	30 mm
Da	71 mm
A1	2,5 mm
B	38,1 mm
G	10 mm
H	112 mm
H1	38 mm
J	90,5 mm
L	–
N	10,5 mm
T	24,7 mm
A2	9,5 mm
Weight	0,47 Kg
Basic dynamic load rating (C)	19,5 kN
Basic static load rating (C0)	11,2 kN
Housing material	Pressed steel
A ₁	2.5 mm
A ₂	9.5 mm
B ₄	5 mm
D _a min.	67 mm
H ₁	38 mm
s ₁	22.2 mm
Basic dynamic load rating C	19.5 kN
Basic static load rating C ₀	11.2 kN



CSC BEARING GROUP limited

Fatigue load limit P_u	0.475 kN
Permissible radial housing load max.	5 kN
Mass unit	0.46 kg
Thread grub screw G_2	M6x0.75
Hexagonal key size for grub screw N	3 mm
Recommended tightening torque for grub screw	4 N · m
Recommended diameter for attachment bolts, mm G	10 mm
Recommended diameter for attachment bolts, inch G	0.375 in