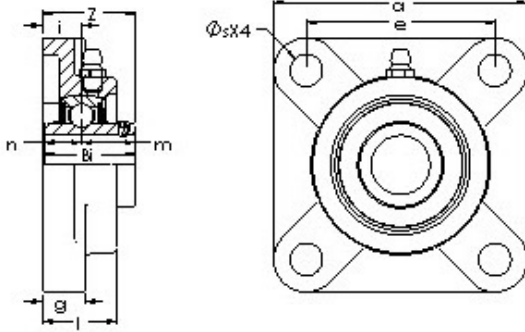




CSC BEARING GROUP limited



AST UCF 215-47E Bearing unit

Bearing No. UCF 215-47E

Bore Diameter	74,6125 mm
Bearing Type	Cast iron housing
Dynamic Load Rating (Cr)	15,163
Static Load Rating (Cor)	10,844
Shaft Dia. (Fw)	2.9375
Mounting Hole Center-to-Center (e)	6.2500
Housing Length (a)	7.8750
Housing Base Thickness (g)	0.8750
Bearing Inner Race Width (Bi)	3.0630
Bearing Inner Race Width - Short Side (n)	1.3110
Bearing Inner Race Width - Extended Side (m)	1.7520
Mounting Bolt Size	0.6250
Bearing Number - UC 215-47	UC 21547
Housing Number	F 215E
Mounting Hole Dia. (s)	0.7500
Flange Assembly Height (Z)	3.0940
Flange Height (l)	2.2190
Mounting Base to Bearing Center (i)	1.3440
Weight (g)	6,304.90
Material	Cast iron housing, chrome steel bearing

UCF 215-47E Bearing 2D drawings and 3D CAD models