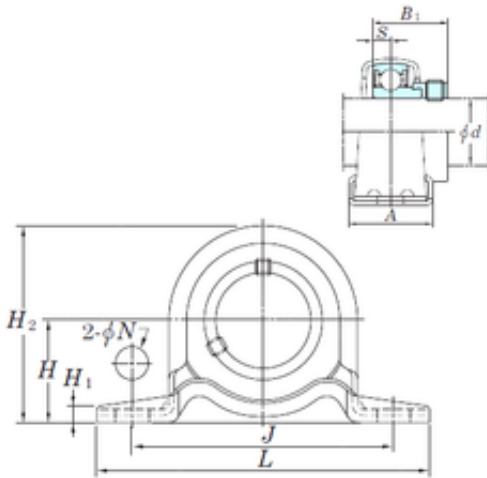




CSC BEARING GROUP limited

KOYO SAPP202 Bearing unit

Bearing No. SAPP202



SAPP202 Bearing 2D drawings and 3D CAD models

Bore Diameter	15 mm
Width	22,2 mm
d	15 mm
A	25 mm
B1	28,5 mm
H	22,2 mm
H1	3,2 mm
H2	43,8 mm
J	68 mm
L	86 mm
N	9,5 mm
S	6 mm
Bolt (G)	M8
Weight	0,19 Kg
Basic dynamic load rating (C)	9,55 kN
Basic static load rating (C0)	4,8 kN