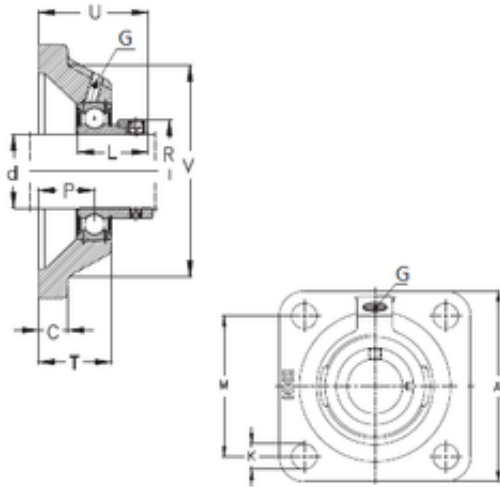




CSC BEARING GROUP limited



NKE PCJY20-N Bearing unit

Bearing No. PCJY20-N

Bore Diameter	20 mm
d	20 mm
P	19 mm
V	68 mm
U	37 mm
K	11,5 mm
A	86 mm
C	10 mm
L	25 mm
M	63,5 mm
T	29 mm
Thread (G)	R1/8 "

PCJY20-N Bearing 2D drawings and 3D CAD models