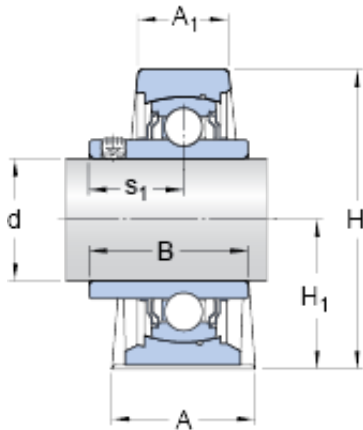




CSC BEARING GROUP limited



SY 40 TF/VA228 Bearing 2D drawings and 3D CAD models

SKF SY 40 TF/VA228 Bearing unit

Bearing No. SY 40 TF/VA228

Size	48x40x33 mm
Bore Diameter	48 mm
Outer Diameter	40 mm
Width	33 mm
d	40 mm
A	48 mm
A ₁	33 mm
H	99 mm
H ₁	49.2 mm
H ₂	19 mm
L	175 mm
J	135.5 mm
H	24.5 mm
N ₁	14 mm
B	49.2 mm
s ₁	30.2 mm
Basic dynamic load rating - C	30.7 kN
Basic static load rating - C ₀	19 kN
Limiting speed	150 r/min
Limiting temperature - T	350 ° C
Mass bearing unit	1.8 kg
Grub (set) screw - G ₂	M8x1
Hexagonal key size for grub screw - H	4 mm
Recommended tightening	6.5 N · m



CSC BEARING GROUP limited

torque for grub screw	
Category	Pillow Block Bearings
Inventory	0.0
Manufacturer Name	SKF
Minimum Buy Quantity	N/A
Weight / Kilogram	1.993
EAN	7316571382371
Product Group	M06110
Number of Mounting Holes	2
Mounting Method	Set Screw
Housing Style	2 Bolt Pillow Block
Rolling Element	Ball Bearing
Housing Material	Cast Iron
Expansion / Non-expansion	Non-expansion
Mounting Bolts	12 Millimeter
Relubricatable	Yes
Insert Part Number	YAR 208-2F/VA228
Seals	M Seal
Housing Configuration	1 Piece Solid
Inch - Metric	Metric
Other Features	Single Row Standard Duty Wide Inner Race High Temperature Bearing with Graphite Y Bearing Has Flinger
Long Description	2 Bolt Pillow Block; 40MM Bore; 49.2MM Base to Center Height; Set Screw Mount; Ball Bearing; Relubricatable; Cast Iron; M Seal; Non-expansion
Category	Pillow Block
UNSPSC	31171511
Harmonized Tariff Code	8483.20.40.40
Noun	Bearing



CSC BEARING GROUP limited

Keyword String	Pillow Block
Manufacturer URL	http://www.skf.com
Manufacturer Item Number	SY 40 TF/VA228
Weight / LBS	3.97
Actual Bolt Center to Center	5.3 Inch 134.3Millimeter
Length Thru Bore	1.937 Inch 49.2 Millimeter
Bolt Spacing Maximum	0 Inch 0Millimeter
Bolt Spacing Minimum	0 Inch 0Millimeter
Bore	1.575 Inch 40 Millimeter
Nominal Bolt Center to Center	5.4 Inch 136 Millimeter
Base to Center Height	1.937 Inch 49.2 Millimeter
mounting:	Two-Bolt Base
overall height:	99 mm
bore diameter:	40 mm
finish/coating:	Uncoated
bore type:	Round
radial static load capacity:	19 kN
base to bore centerline:	1.9370 in
base width:	48 mm
housing material:	Cast Iron
bolt center-to-center length:	135.5 mm
locking device:	Set Screw
lubrication type:	Lubrication Fitting
expansion type:	Non-Expansion Bearing (Fixed)
series:	SY
overall length:	175 mm
standards met:	ISO
A ₁	33 mm
H ₁	49.2 mm
H ₂	19 mm



CSC BEARING GROUP limited

N	24.5 mm
N_1	14 mm
s_1	30.2 mm
Basic dynamic load rating C	30.7 kN
Basic static load rating C_0	19 kN
Limiting temperature T max.	350 ° C
Grub (set) screw G_2	M8x1
Hexagonal key size for grub screw N	4 mm
Attachment bolts, recommended metric size G	12 mm