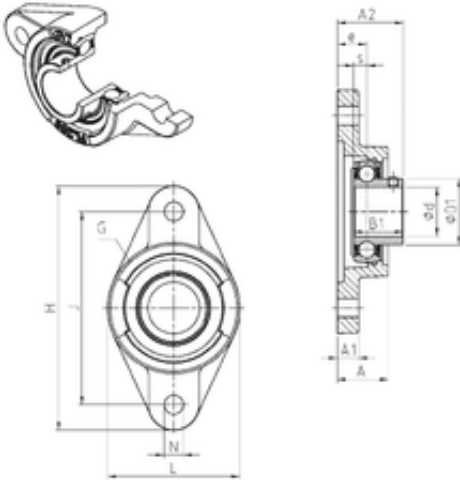




# CSC BEARING GROUP limited



## SNR USFL206 Bearing unit

Bearing No. USFL206

Bore Diameter	30 mm
d	30 mm
e	18 mm
s	8 mm
A	31 mm
A1	13 mm
B1	30 mm
D1	40,3 mm
H	148 mm
J	117 mm
L	80 mm
N	16 mm
Thread (G)	M6x1
A2	40 mm
Weight	0,9 Kg
Basic dynamic load rating (C)	19,5 kN

USFL206 Bearing 2D drawings and 3D CAD models