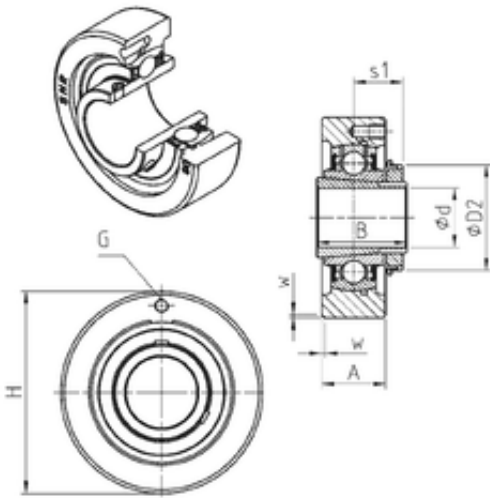




# CSC BEARING GROUP limited

## SNR UKC207H Bearing unit

Bearing No. UKC207H



UKC207H Bearing 2D drawings and 3D CAD models

Bore Diameter	30 mm
Width	43 mm
d	30 mm
s1	22,5 mm
A	28 mm
B	43 mm
D2	52 mm
H	90 mm
W	2 mm
Thread (G)	M6x1
Weight	1,1 Kg
Basic dynamic load rating (C)	25,7 kN
A3	2 mm
A5	22.5 mm
B1	43 mm
d1	52 mm
G	M6x1
C	25.7 kN
C0	15.2 kN
T min.	-20 ° C
T max.	100 ° C
Adapter sleeve reference	H2307
Designation of housing	C207-
Designation of bearing	UK207G2H