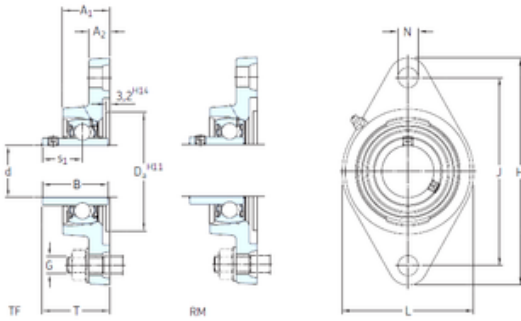




# CSC BEARING GROUP limited

## SKF FYT 1.1/8 TF Bearing unit



Bearing No. FYT 1.1/8 TF

|                               |                       |
|-------------------------------|-----------------------|
| Bore Diameter                 | 28,575 mm             |
| Width                         | 38,1 mm               |
| d                             | 28,575 mm             |
| s1                            | 22,2 mm               |
| A1                            | 32,5 mm               |
| B                             | 38,1 mm               |
| G                             | 10 mm                 |
| H                             | 141,5 mm              |
| J                             | 116,9 mm              |
| L                             | 83 mm                 |
| N                             | 12,7 mm               |
| T                             | 42,2 mm               |
| A2                            | 13 mm                 |
| Weight                        | 0,95 Kg               |
| Basic dynamic load rating (C) | 19,5 kN               |
| Basic static load rating (C0) | 11,2 kN               |
| Fatigue load limit (Pu)       | 0,475                 |
| Category                      | Flange Block Bearings |
| Inventory                     | 0.0                   |
| Manufacturer Name             | SKF                   |
| Minimum Buy Quantity          | N/A                   |
| Weight / Kilogram             | 0.95                  |
| EAN                           | 7316577755261         |
| Product Group                 | M06110                |
| Number of Mounting Holes      | 2                     |
| Mounting Method               | Set Screw             |

FYT 1.1/8 TF Bearing 2D drawings and 3D CAD models



## CSC BEARING GROUP limited

|                                    |   |
|------------------------------------|---|
| Housing Style                      | 2 Bolt Flange Block   |
| Rolling Element                    | Ball Bearing  |
| Housing Material                   | Cast Iron   |
| Expansion / Non-expansion          | Non-expansion   |
| Mounting Bolts                     | 7/16 Inch   |
| Relubricatable                     | Yes   |
| Insert Part Number                 | YAR 206-102-2F  |
| Seals                              | M Seal  |
| Housing Configuration              | 1 Piece Solid   |
| Pilot Configuration                | No Pilot  |
| Inch - Metric                      | Inch  |
| Long Description                   | 2 Bolt Flange Block; 1-1/8" Bore; 4.6" Bolt Circle; 4-19/32" Bolt Spacing; 1 Piece Solid; Set Screw Mount; Cast Iron; Ball Bearing; 1-1/2" Length Thru Bore; Relubricatable; M Seal |
| Other Features                     | Single Row   Standard Duty   Wide Inner Race   Open End   Has Flinger   Y Bearing   |
| Category                           | Flange Block  |
| UNSPSC                             | 31171501  |
| Harmonized Tariff Code             | 8483.20.40.40   |
| Noun                               | Bearing   |
| Keyword String                     | Flanged   |
| Manufacturer URL                   | <a href="http://www.skf.com">http://www.skf.com</a>   |
| Manufacturer Item Number           | FYT 1.1/8 TF  |
| Weight / LBS                       | 2.1   |
| Length Thru Bore                   | 1.5 Inch   38.1 Millimeter  |
| Cartridge Pilot Depth              | 0 Inch   0 Millimeter   |
| Nominal Bolt Circle Diameter Round | 4.6 Inch   117 Millimeter   |
| Bolt Spacing                       | 4.594 Inch   116.7  |



## CSC BEARING GROUP limited

|                          | Millimeter                        |
|--------------------------|-----------------------------------|
| Bore                     | 1.125 Inch   28.575<br>Millimeter |
| Cartridge Pilot Diameter | 0 Inch   0 Millimeter             |