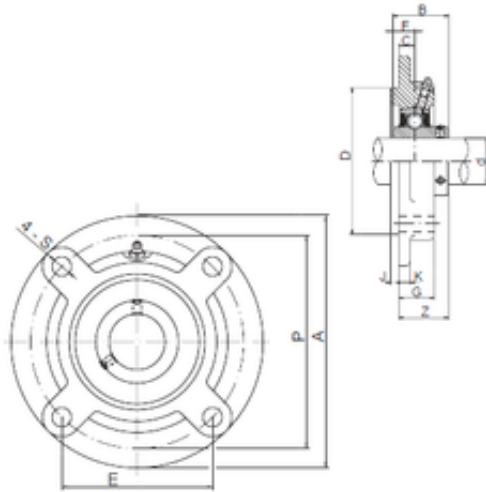




CSC BEARING GROUP limited

80 mm x 186 mm x 85,7 mm ISO UCFCX16 Bearing unit



Bearing No. UCFCX16

Bore Diameter	80 mm
d	80 mm
P	219 mm
Z	61,6 mm
A	260 mm
B	85,7 mm
C	10 mm
D	186 mm
E	154,8 mm
F	34,1 mm
G	36 mm
J	25 mm
K	19 mm
S	23 mm
Bolt (G)	M20

UCFCX16 Bearing 2D drawings and 3D CAD models