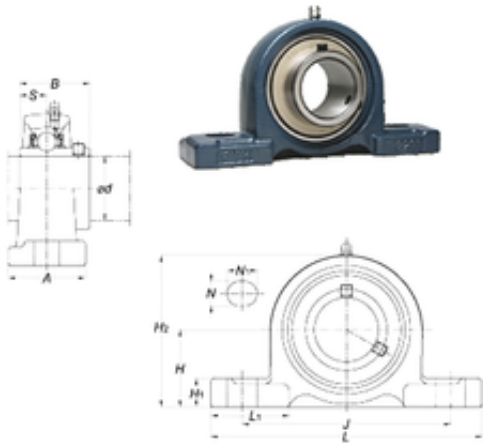




# CSC BEARING GROUP limited

## FYH UCP210-32 Bearing unit



Bearing No. UCP210-32

Bore Diameter	50,8 mm
Width	51,6 mm
d	50,8 mm
A	60 mm
B	51,6 mm
H	57,2 mm
H1	19 mm
H2	113 mm
J	159 mm
L	206 mm
L1	63 mm
N	20 mm
N1	22 mm
S	19 mm
Bolt (G)	M16
Weight	2,9 Kg
Basic dynamic load rating (C)	35,1 kN
Basic static load rating (C0)	23,3 kN

UCP210-32 Bearing 2D drawings and 3D CAD models