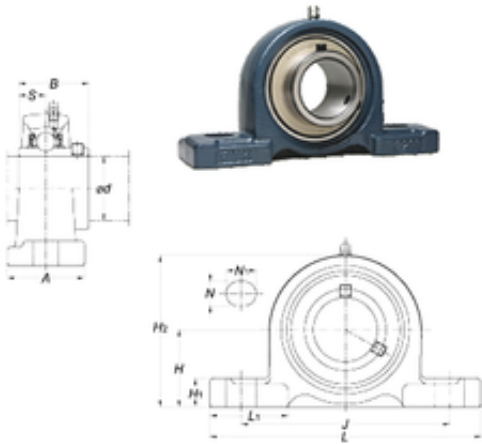




CSC BEARING GROUP limited

FYH UCP215-47 Bearing unit

Bearing No. UCP215-47



UCP215-47 Bearing 2D drawings and 3D CAD models

| | |
|-------------------------------|------------|
| Bore Diameter | 74,6125 mm |
| Width | 77,8 mm |
| d | 74,6125 mm |
| A | 74 mm |
| B | 77,8 mm |
| H | 82,6 mm |
| H1 | 28 mm |
| H2 | 162 mm |
| J | 217 mm |
| L | 275 mm |
| L1 | 80 mm |
| N | 25 mm |
| N1 | 30 mm |
| S | 33,3 mm |
| Bolt (G) | M20 |
| Weight | 7,4 Kg |
| Basic dynamic load rating (C) | 67,4 kN |
| Basic static load rating (C0) | 48,3 kN |