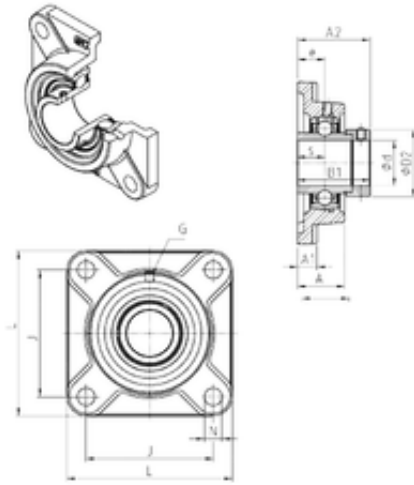




CSC BEARING GROUP limited

SNR EXF216 Bearing unit

Bearing No. EXF216



EXF216 Bearing 2D drawings and 3D CAD models

Bore Diameter	80 mm
d	80 mm
e	34 mm
s	37,3 mm
A	57 mm
A1	22 mm
B1	95,2 mm
D2	110 mm
J	165 mm
L	208 mm
N	23 mm
Thread (G)	M10x1
A2	91,9 mm
Weight	7,3 Kg
Basic dynamic load rating (C)	72,5 kN