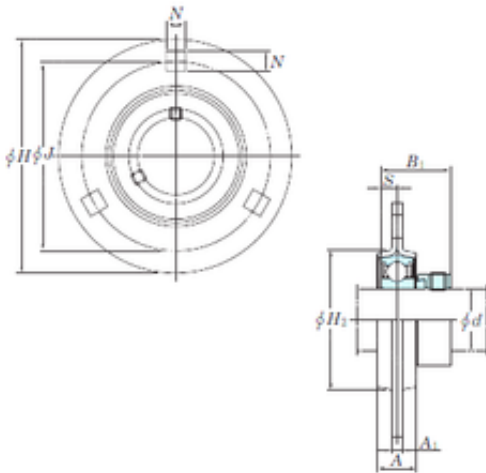




CSC BEARING GROUP limited

KOYO SAPF205-16 Bearing unit



Bearing No. SAPF205-16

Bore Diameter	23,8125 mm
d	23,8125 mm
A	18 mm
A1	4 mm
B1	30,5 mm
H	95 mm
H2	60 mm
J	76 mm
N	9 mm
S	7,5 mm
Bolt (G)	M8
Weight	0,42 Kg
Basic dynamic load rating (C)	14 kN
Basic static load rating (C0)	7,85 kN
Category	Bearings
Inventory	0.0
Manufacturer Name	KOYO
Minimum Buy Quantity	N/A
Weight / Kilogram	0
Product Group	M06110

SAPF205-16 Bearing 2D drawings and 3D CAD models