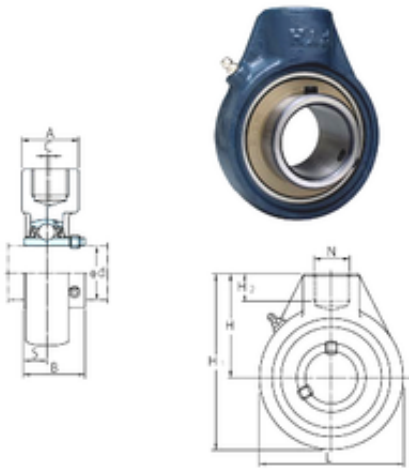




# CSC BEARING GROUP limited

## FYH UCHA213 Bearing unit

Bearing No. UCHA213



UCHA213 Bearing 2D drawings and 3D CAD models

Bore Diameter	65 mm
Width	65,1 mm
d	65 mm
A	70 mm
B	65,1 mm
C	9,5 mm
H	117 mm
H1	200 mm
H2	32 mm
L	166 mm
S	25,4 mm
Bolt (G)	PF 1 1/2
Weight	5,8 Kg
Basic dynamic load rating (C)	57,2 kN
Basic static load rating (C0)	40,1 kN
Category	Mounted Units & Inserts
Inventory	0.0
Manufacturer Name	FYH BEARING UNITS
Minimum Buy Quantity	N/A
UNSPSC	31171513
Weight / Kilogram	5.81
Product Group	M06110