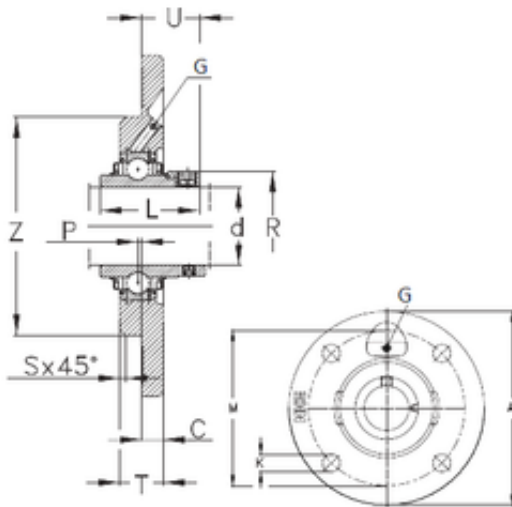




CSC BEARING GROUP limited



NKE RME040 Bearing unit

Bearing No. RME040

Bore Diameter	40 mm
d	40 mm
P	2,5 mm
U	39,1 mm
K	19 mm
Z	115 mm
A	194 mm
C	17 mm
L	54,6 mm
M	158 mm
R	63 mm
S	2 mm
T	27 mm
Thread (G)	M6

RME040 Bearing 2D drawings and 3D CAD models