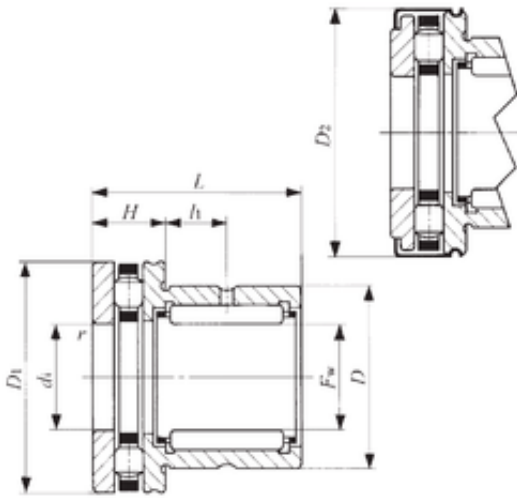




CSC BEARING GROUP limited



NBX 5035Z Bearing 2D drawings and 3D CAD models

IKO NBX 5035Z Compound bearing

Bearing No. NBX 5035Z

Bore Diameter	50 mm
Outer Diameter	62 mm
Fw	50 mm
D	62 mm
D1	70 mm
D2	71,5 mm
d1	50 mm
r min.	0,6 mm
H	14 mm
L	35 mm
L1	10 mm
da min.	67 mm
Weight	0,325 Kg
Dynamic load rating radial (C)	42,2 kN
Dynamic load rating axial (C)	43,3 kN
Static load rating radial (C0)	83,4 kN
Static load rating axial (C0)	148 kN