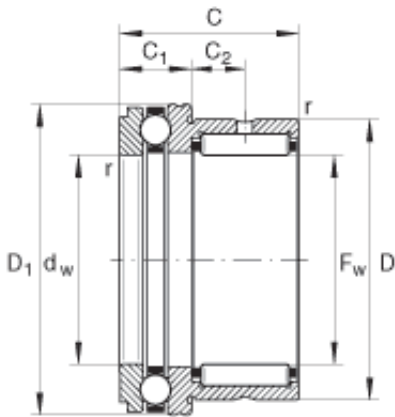




# CSC BEARING GROUP limited



NKX50 Bearing 2D drawings and 3D CAD models

## INA NKX50 Compound bearing

Bearing No. NKX50

Size	50x62x35 mm
Bore Diameter	50 mm
Outer Diameter	62 mm
Width	35 mm
$F_w$	50 mm
D	62 mm
C - 35 mm / Tolerance: -0,25	35 mm / Tolerance: 0,25
$C_1$ - 14 mm / Tolerance: -0,2	14 mm / Tolerance: 0,2
$C_2$	10 mm
$D_{1 \max}$	70,2 mm
$d_a$	65,5 mm
$d_w$	50 mm / Tolerance: E8
$r_{a \max}$	0,6 mm
$r_{\min}$	0,6 mm
	NAXK50 / Designation to DIN 5429
m	280 g / Weight
$C_r$	43000 N / Dynamic load rating (radial)
$C_{0r}$	74000 N / Static load rating (radial)
$C_a$	29000 N / Dynamic load rating (axial)
$C_{0a}$	75000 N / Static load rating (axial)



## CSC BEARING GROUP limited

C <sub>ur</sub>	12700 N / Fatigue limit load, radial
C <sub>ua</sub>	3650 N / Fatigue limit load, axial
n <sub>G</sub>	3300 1/min / Limiting speed
	IR45X50X25 / Suitable inner ring
Category	Thrust Roller Bearing
Inventory	0.0
Manufacturer Name	SCHAEFFLER GROUP
Minimum Buy Quantity	N/A
Weight / Kilogram	0.28
EAN	4026677319821
Product Group	B04144
Rolling Element	Combination - Needle Roller and Thrust Ball Bearing
Self Aligning	No
Component Description	Roller Assembly plus Raceways
Thrust Bearing	Yes
Single or Double Direction	Single Direction
Banded	No
Cage Material	Steel
Precision Class	ABEC 1   ISO P0
Long Description	50MM Bore 1; 50MM Bore 2; 62MM Outside Diameter; 35MM Height; Combination - Needle Roller and Thrust Ball Bearing; Single Direction; Not Self Aligning; Not Banded; Steel Cage; ABEC 1   ISO P0; Roller
Inch - Metric	Metric
Category	Thrust Roller Bearings



## CSC BEARING GROUP limited

UNSPSC	31171537
Harmonized Tariff Code	8482.80.00.40
Noun	Bearing
Keyword String	Combination
Manufacturer URL	<a href="http://www.ina.com">http://www.ina.com</a>
Manufacturer Item Number	NKX50
Weight / LBS	0.617
Height	1.378 Inch   35 Millimeter
Overall Height with Aligning Washer	0 Inch   0 Millimeter
Outside Diameter	2.441 Inch   62 Millimeter
Bore 1	1.969 Inch   50 Millimeter
Bore 2	1.969 Inch   50 Millimeter