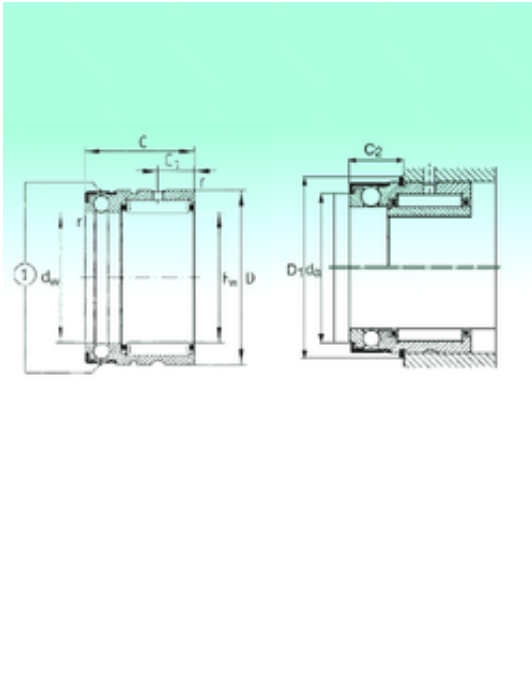




CSC BEARING GROUP limited



NX 15 Bearing 2D drawings and 3D CAD models

NBS NX 15 Compound bearing

Bearing No. NX 15

Size	15x24x28 mm
Bore Diameter	15 mm
Outer Diameter	24 mm
Width	28 mm
d	15 mm
Fw	0,048 mm
D	24 mm
C	28 mm
C1	8 mm
D1	26,5 mm
C2	12,2 mm
da	19 mm
Dynamic load rating radial (C)	10,5 kN
Dynamic load rating axial (C)	5,9 kN
Static load rating radial (C0)	11,5 kN
Static load rating axial (C0)	10,5 kN