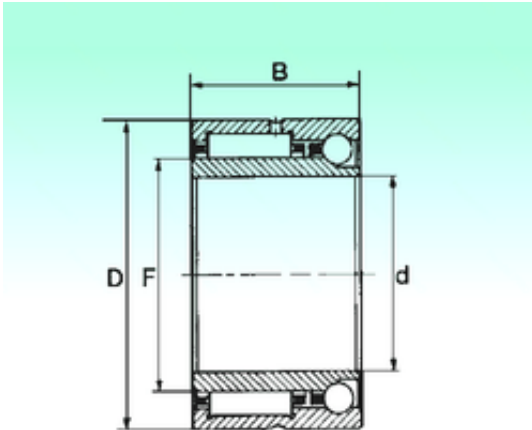




CSC BEARING GROUP limited



25 mm x 42 mm x 23 mm NBS NKIA 5905 Compound bearing

Bearing No. NKIA 5905

Size	25x42x23 mm
Bore Diameter	25 mm
Outer Diameter	42 mm
Width	23 mm
d	25 mm
F	30 mm
D	42 mm
B	23 mm
C	23 mm
Weight	0,13 Kg
Dynamic load rating radial (C)	22,4 kN
Dynamic load rating axial (C)	4,133 kN
Static load rating radial (C0)	29,9 kN
Static load rating axial (C0)	5,795 kN

NKIA 5905 Bearing 2D drawings and 3D CAD models