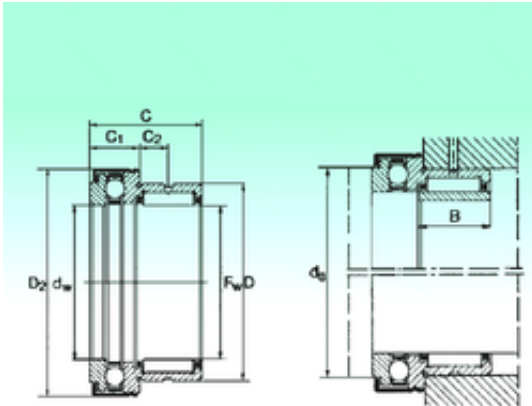




# CSC BEARING GROUP limited



NKX 10 Z TN Bearing 2D drawings and 3D CAD models

## NBS NKX 10 Z TN Compound bearing

Bearing No. NKX 10 Z TN

Size	10x19x23 mm
Bore Diameter	10 mm
Outer Diameter	19 mm
Width	23 mm
d	10 mm
Fw	10 mm
D	19 mm
C	23 mm
C1	9 mm
D1	24,1 mm
D2	25,2 mm
C2	6,5 mm
da	19,7 mm
Weight	0,036 Kg
Dynamic load rating radial (C)	6 kN
Dynamic load rating axial (C)	9,5 kN
Static load rating radial (C0)	7,5 kN
Static load rating axial (C0)	13 kN