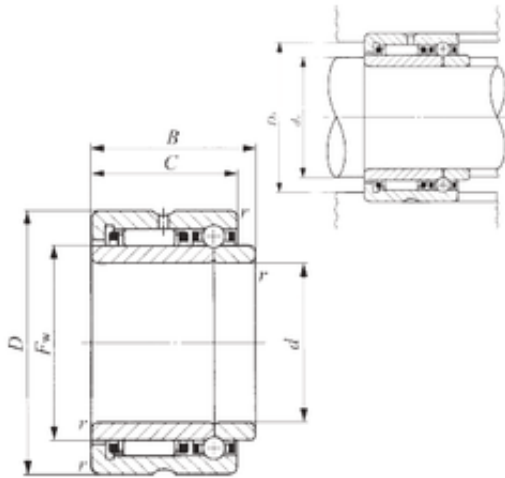




CSC BEARING GROUP limited



65 mm x 90 mm x 38 mm IKO NATB 5913 Compound bearing

Bearing No. NATB 5913

Size	65x90x38 mm
Bore Diameter	65 mm
Outer Diameter	90 mm
Width	38 mm
d	65 mm
Fw	75 mm
D	90 mm
B	38 mm
C	34 mm
r min.	1 mm
da min.	70 mm
Da max.	85 mm
Weight	0,71 Kg
Dynamic load rating radial (C)	43,8 kN
Dynamic load rating axial (C)	11 kN
Static load rating radial (C0)	90,2 kN
Static load rating axial (C0)	28,7 kN

NATB 5913 Bearing 2D drawings and 3D CAD models