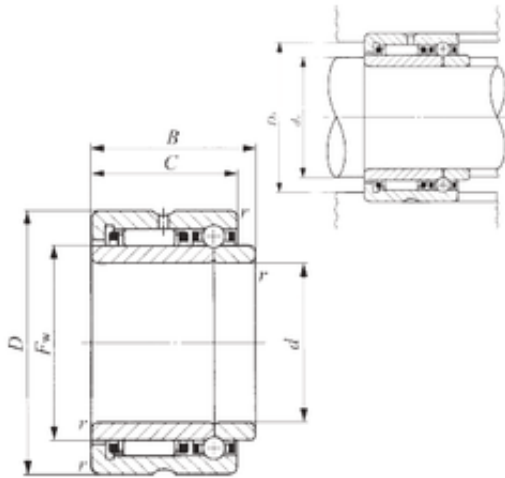




CSC BEARING GROUP limited



70 mm x 100 mm x 45 mm IKO NATB 5914 Compound bearing

Bearing No. NATB 5914

Size	70x100x45 mm
Bore Diameter	70 mm
Outer Diameter	100 mm
Width	45 mm
d	70 mm
Fw	80 mm
D	100 mm
B	45 mm
C	40 mm
r min.	1 mm
da min.	75 mm
Da max.	95 mm
Weight	1,13 Kg
Dynamic load rating radial (C)	56,4 kN
Dynamic load rating axial (C)	13,5 kN
Static load rating radial (C0)	127 kN
Static load rating axial (C0)	35 kN

NATB 5914 Bearing 2D drawings and 3D CAD models