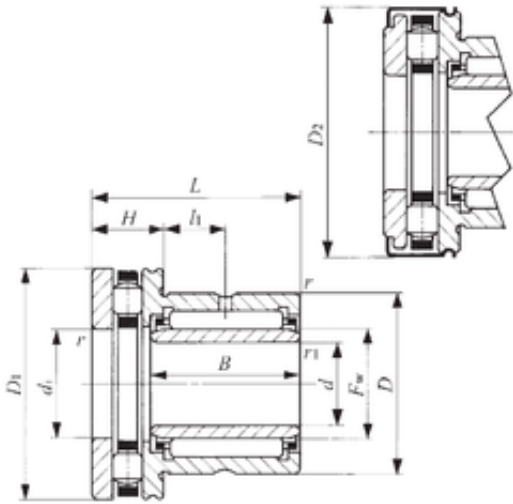




# CSC BEARING GROUP limited

## 35 mm x 52 mm x 20 mm IKO NBXI 3532Z Compound bearing

Bearing No. NBXI 3532Z



NBXI 3532Z Bearing 2D drawings and 3D CAD models

Bore Diameter	35 mm
Outer Diameter	52 mm
d	35 mm
Fw	40 mm
D	52 mm
D1	60 mm
D2	61 mm
B	20 mm
d1	40 mm
r min.	0,6 mm
r1 min.	0,3 mm
H	13 mm
L	32 mm
L1	10 mm
da min.	57 mm
db	39 mm
Weight	0,294 Kg
Dynamic load rating radial (C)	29,4 kN
Dynamic load rating axial (C)	41,7 kN
Static load rating radial (C0)	54,1 kN
Static load rating axial (C0)	133 kN
Category	Bearings
Inventory	0.0
Manufacturer Name	IKO



## CSC BEARING GROUP limited

Minimum Buy Quantity	N/A
Weight / Kilogram	0
Product Group	B04144