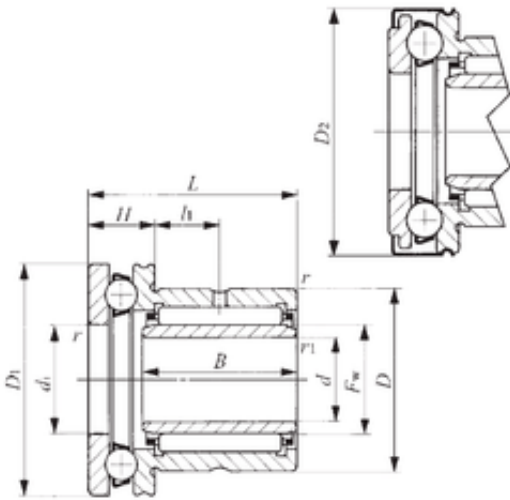




CSC BEARING GROUP limited

12 mm x 24 mm x 16,5 mm IKO NAXI 1223Z Compound bearing

Bearing No. NAXI 1223Z



NAXI 1223Z Bearing 2D drawings and 3D CAD models

Bore Diameter	12 mm
Outer Diameter	24 mm
d	12 mm
Fw	15 mm
D	24 mm
D1	28 mm
D2	29 mm
B	16,5 mm
d1	15 mm
r min.	0,3 mm
r1 min.	0,3 mm
H	9 mm
L	23 mm
L1	6,5 mm
da min.	23 mm
db	14 mm
Weight	0,0565 Kg
Dynamic load rating radial (C)	12,3 kN
Dynamic load rating axial (C)	9,93 kN
Static load rating radial (C0)	14,9 kN
Static load rating axial (C0)	12,2 kN
Category	Roller Bearings
Inventory	6.0
Manufacturer Name	IKO



CSC BEARING GROUP limited

Minimum Buy Quantity	N/A
Weight / Kilogram	0
Product Group	B04144