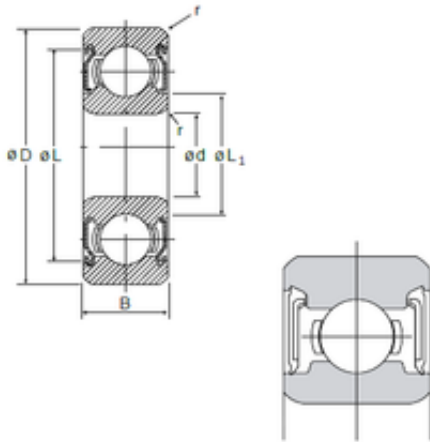




CSC BEARING GROUP limited



7 mm x 22 mm x 7 mm NMB 627DD Deep ball bearings

Bearing No. 627DD

Size	7x22x7 mm
Bore Diameter	7 mm
Outer Diameter	22 mm
Width	7 mm
d	7 mm
D	22 mm
B	7 mm
C	7 mm
r min.	0,3 mm
L	19,1 mm
L1	10,8 mm
Basic dynamic load rating (C)	3,297 kN

627DD Bearing 2D drawings and 3D CAD models