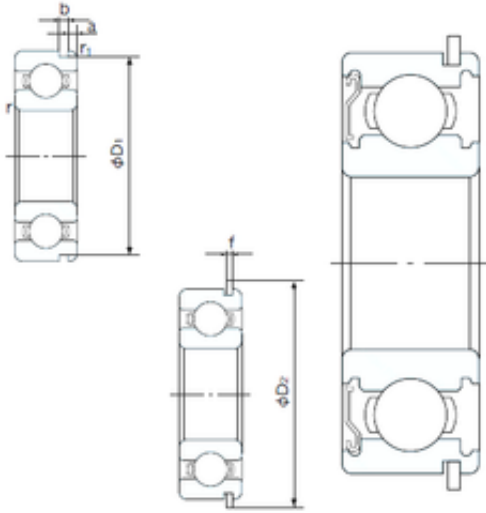




CSC BEARING GROUP limited



30 mm x 47 mm x 9 mm NACHI 6906ZENR Deep ball bearings

Bearing No. 6906ZENR

6906ZENR Bearing 2D drawings and 3D CAD models

Size	30x47x9 mm
Bore Diameter	30 mm
Outer Diameter	47 mm
Width	9 mm
d	30 mm
D	47 mm
B	9 mm
C	9 mm
a	1.7 mm
b	0.95 mm
f	0.85 mm
r min.	0.3 mm
r1 min.	0.3 mm
D1	45.7 mm
D2	49.8 mm
Weight	0.047 Kg
Basic dynamic load rating (C)	7,25 kN
Basic static load rating (C0)	5 kN
(Grease) Lubrication Speed	14000 r/min
Enclosure	Single Shield with Snap Ring
Bore Type	Cylindrical Bore
Configuration	Single Row
Bore Size	30 mm
Outside Diameter	47 mm
Width	9 mm



CSC BEARING GROUP limited

Fillet Radius/Chamfer	0.3 mm
r1	0.3 mm
Snap Ring Width	0.9 mm
Snap Ring Outside Diameter	49.8 mm
D1 (max)	45.7 mm
a (max)	1.7 mm
b (min)	1 mm
Dynamic Load Rating	7,250 N
Static Load Rating	5,000 N
Limiting Speed - Grease	14,000 rpm
Limiting Speed - Oil	17,000 rpm
Factor fo	15.8
Radial Clearance	0.005 to 0.020 mm
da (min)	32 mm
Da (max)	45 mm
Dx (min)	50.5 mm
ra (max)	0.3 mm
Cy (max)	2.3 mm