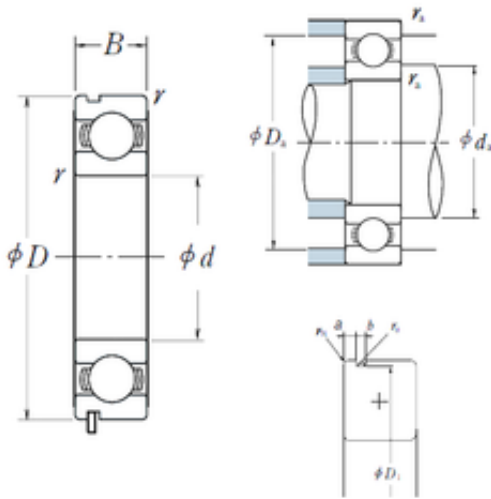




CSC BEARING GROUP limited



15 mm x 28 mm x 7 mm NSK 6902N Deep ball bearings

Bearing No. 6902N

Size	15x28x7 mm
Bore Diameter	15 mm
Outer Diameter	28 mm
Width	7 mm
d	15 mm
D	28 mm
B	7 mm
C	7 mm
rn	0,3 mm
a	1,3 mm
b	0,95 mm
r min.	0,3 mm
r0 max.	0,25 mm
D1	26,7 mm
da min.	17 mm
da max	17 mm
Da max.	26 mm
ra max.	0,3 mm
Weight	0,015 Kg
Basic dynamic load rating (C)	4,35 kN
Basic static load rating (C0)	2,26 kN
(Grease) Lubrication Speed	26 000 r/min
(Oil) Lubrication Speed	30 000 r/min
SRI	2.05
hidYobi	6902N

6902N Bearing 2D drawings and 3D CAD models



CSC BEARING GROUP limited

LangID	1
ro	0.25
D_	28
SREX	0.015
B_	7
da min	17
hidTable	ecat_NSRDGB
Oil rpm	30000
SRE	2.05
mass	0.015
GRS rpm	26000
ra	0.3
SRIX	0.015
D_a	26
SRIN	-0.015
C0	2.26
fo	14.3
SREN	-0.015
DE_	25.469
Prod_Type3	DGBB_SR_N_OT
DA_	3.969
bomp	0
Z_	10
yobi	6902N
C_conv	4350
ALPHA_	0
SDM_	21.5
r	0.3
KBRG	6101
SBRG	19
DI_	17.531